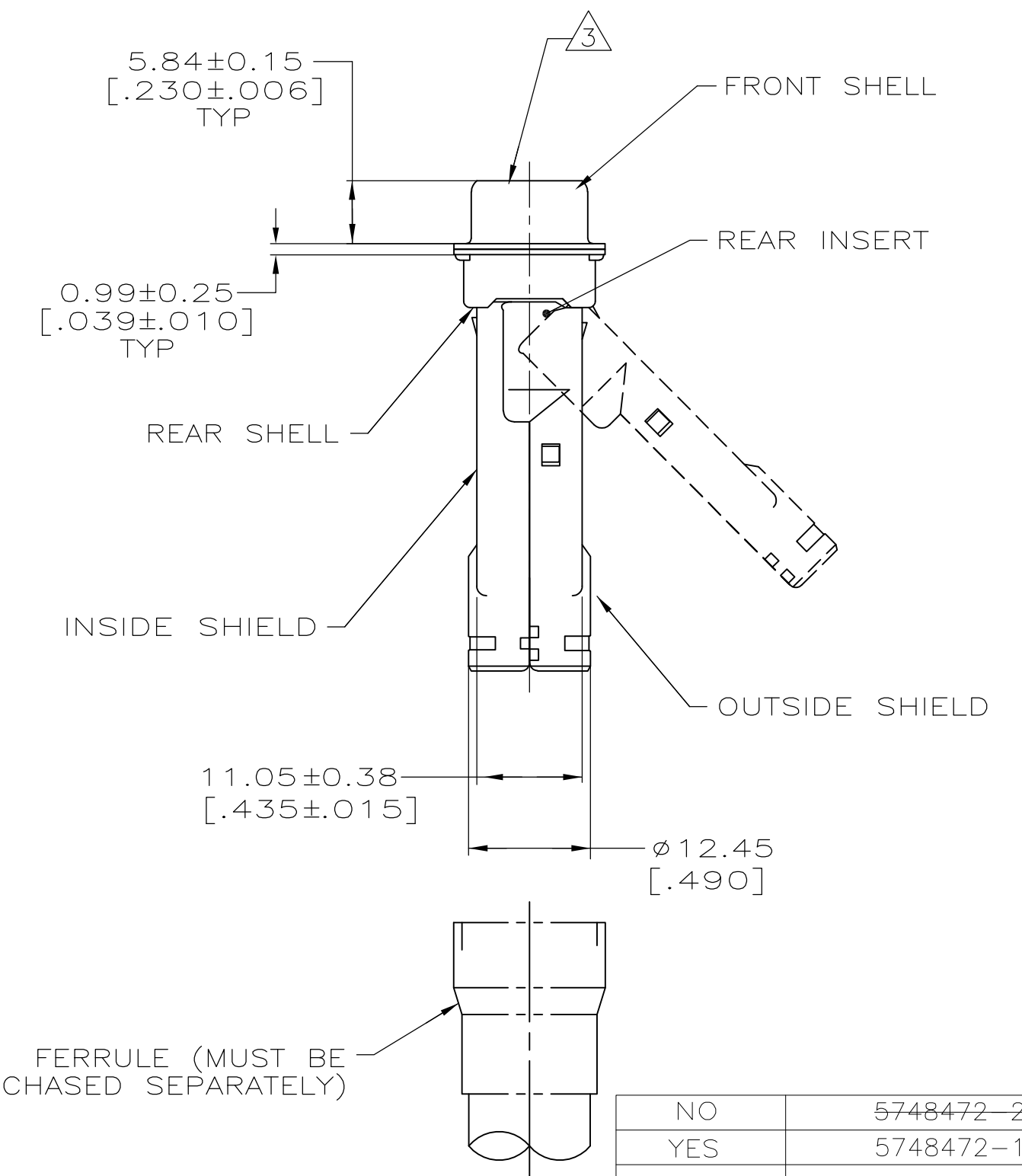
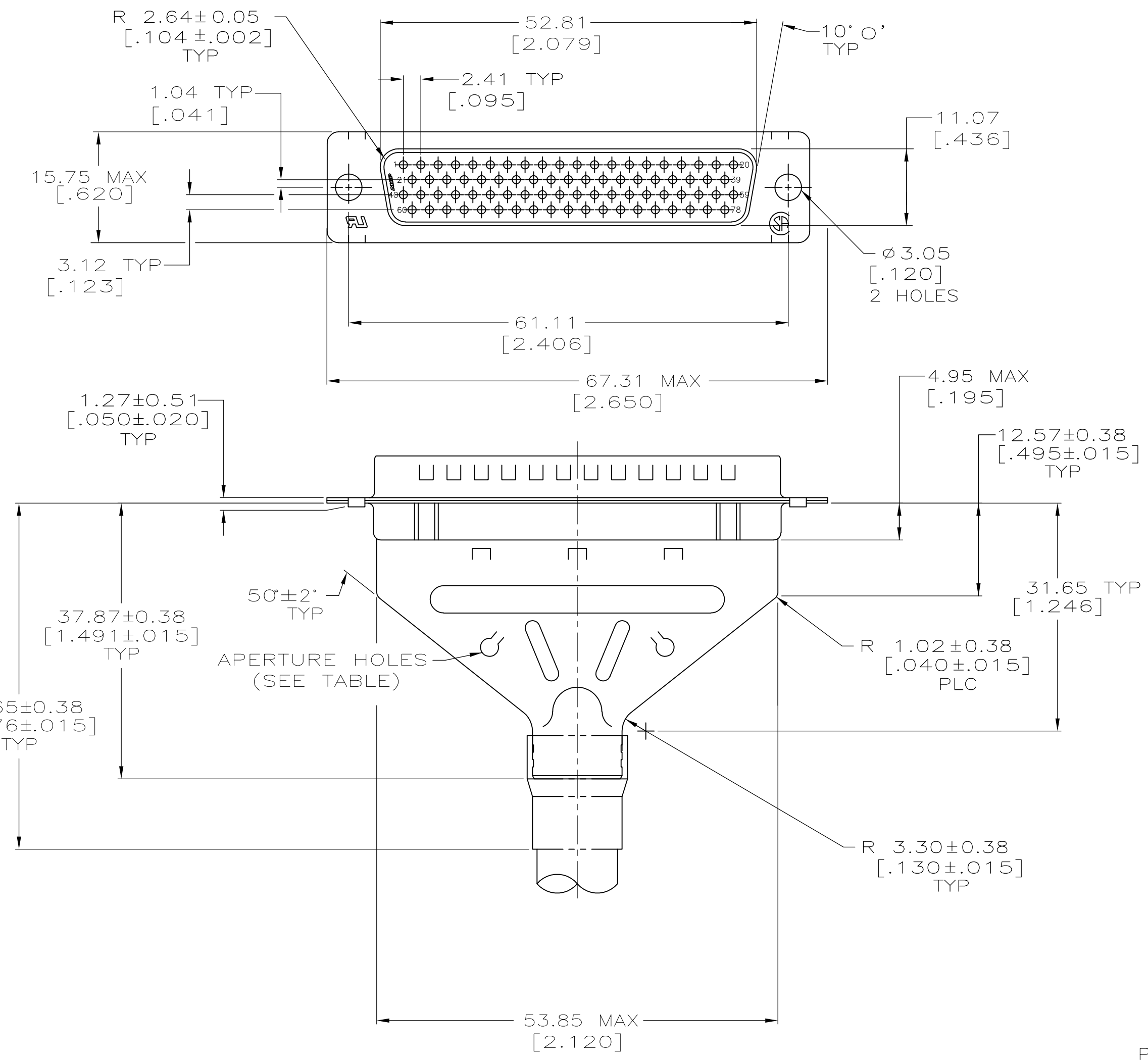


LOC	DIST	REVISIONS			
P	LTR	DESCRIPTION	DATE	OWN	APVD
0		RELEASED PER EC 0S13-0257-04	12-21-04	LV	JG
01		REVISED PER ECO-09-024927	10NOV09	KK	AEG



- ⚠ INSERTS: NYLON, BLACK, UL 94V-0 RATED. SHELLS & SHIELDS: CARBON STEEL PER ASTM A109.
- ⚠ SHELLS & SHIELDS: 5.08µm [.000200] MIN TIN OVER 2.54µm [.000100] MIN COPPER.
- ⚠ PLUG ACCEPTS SIZE 22 PIN CONTACTS. (CONTACTS MUST BE PURCHASED SEPARATELY).
- ⚠ OBSOLETE PARTS: OBSOLETE CIS STREAMLINING PER D.RENAUD/D.SINISI

THIS DRAWING IS A CONTROLLED DOCUMENT.		DWN L. VARELA - DOCK5 12-21-04	Tyco Electronics Corporation Harrisburg, PA 17105-3608	
DIMENSIONS: mm [inches]		CHK J. GERACE 12-21-04	NAME M. WALMSLEY 12-21-04	
TOLERANCES UNLESS OTHERWISE SPECIFIED:		APVD M. WALMSLEY 12-21-04	PRODUCT SPEC 108-1268	
0 PLC ± -	1 PLC ± -	APPLICATION SPEC 114-10001		
2 PLC ± 0.13 [.005]	3 PLC ± -	SIZE A2	CAGE CODE 00779	DRAWING NO 5748472
4 PLC ± -	ANGLES ± ± 0° 30'	WEIGHT -	RESTRICTED TO -	
MATERIAL ⚠	FINISH ⚠	CUSTOMER DRAWING		
		SCALE 2:1	SHEET 1 OF 1	REV 01

NO	5748472-2-⚠
YES	5748472-1
APERATURE HOLES	PART NUMBER